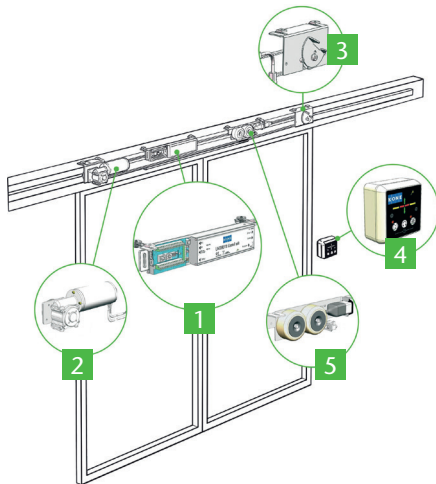


# KONE UniDrive<sup>®</sup> Retrofit

A NEW LEASE ON LIFE FOR YOUR SLIDING DOORS

The KONE UniDrive Retrofit package is suitable for upgrading the control element of any brand of automatic sliding door, with no changes to the door construction needed. The upgrade takes just a few hours, and results in a safer door that is both more reliable and more efficient.

## UniDrive door operator key components



- 1 Control unit
- 2 Motor unit
- 3 Return pulley
- 4 Program switch
- 5 Power supply

## KEY BENEFITS

- **Reliability** – modern operator minimizes downtime by ensuring that doors perform reliably and comply with all relevant performance and safety standards. Spare parts can be delivered within 24 hours.
- **Comfort and convenience** – fully customizable operation gives you complete control over door opening speed and time. The wireless program switch enables easy operator programming and door control without the need for physical cabling.
- **Safety** – possibility to install additional safety sensors ensures full compliance with the EN 16005 standard and eliminates the potential for impact with a moving door.

## Added energy savings with optional KONE eco-package for sliding doors

The KONE eco-package uses temperature and wind sensors to adjust door opening width, speed, and duration.

- Automatic energy-saving mode in cold or hot weather
- Minimizes temperature variation inside the building
- Reduces dust, wind, and noise penetration
- Enables energy savings of up to 4000 kWh/year

CONTACT DETAILS

KONE FL NAME

TEL. NO.

EMAIL